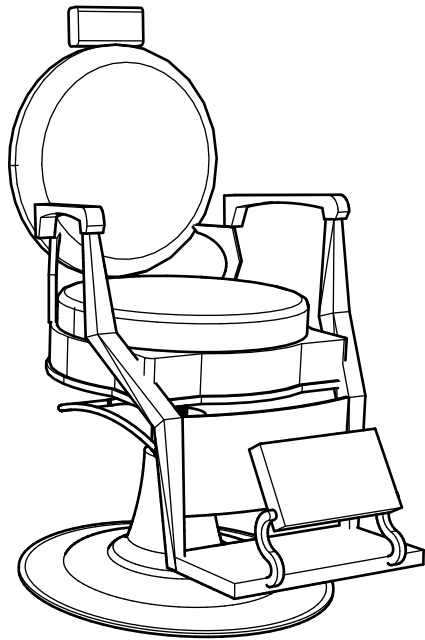




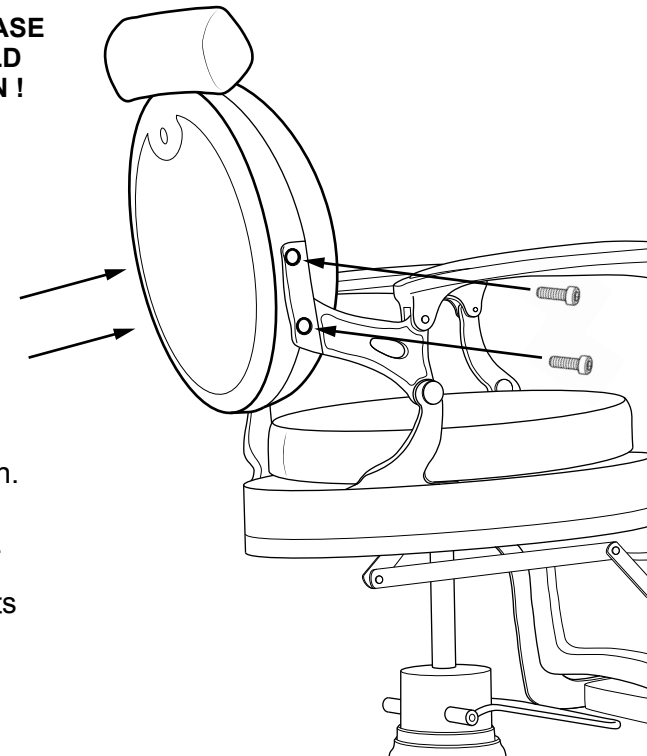
Assembly Instructions

Zagato Barber Chair

Model #1147



! ALWAYS KEEP THE HYDRAULIC BASE UPRIGHT. THE HYDRAULIC SHOULD NEVER BE TURNED UPSIDE-DOWN !



- 1) Slide chair back in upright position.
Remove bolts from the each side.
Insert the backrest and screw bolts in up through the sides.

Parts List*

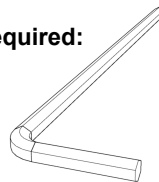
Part	Qty.	Description
A	1	Base and Hydraulic
B	1	Chair back
C	1	Footrest
D**	1	Bolt + Washer + Lock Washer

*Open all boxes to check for parts before beginning assembly.

**All bolt/washer sets are already in the brackets and footrest.

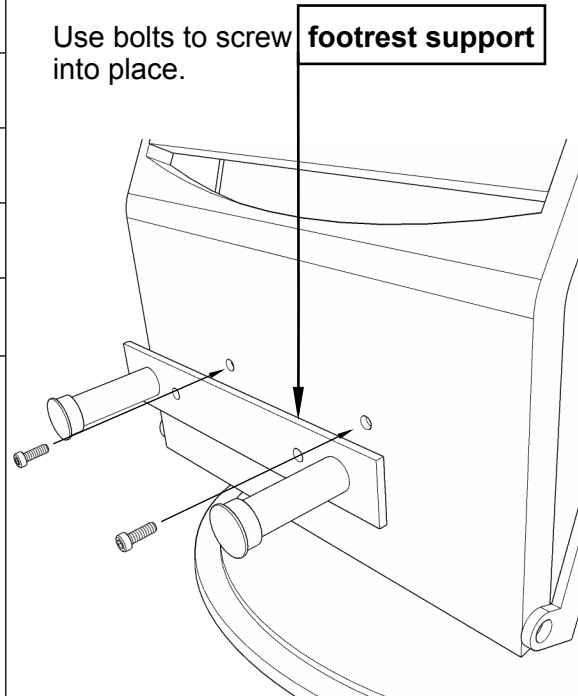
Tools required:

Allen wrench (included)



- 2) Remove bolts from bottom of the footrest.

Use bolts to screw **footrest support** into place.



Your chair has now been fully assembled!

!! Safety and Precautionary Information !!

Do not stand on the footrest, it is meant for resting feet, not for climbing into the chair.

The chair should always be in the lowest position when entering/exiting the chair.